

# SP-350K-H1 SP Series String Inverter



## More power generation

- Max. efficiency 99.03%, Euro efficiency 98.80%
- 12MPPTs for tracking maximum PV power
- Supports bifacial PV modules with max. MPPT current 45A

## Low system cost

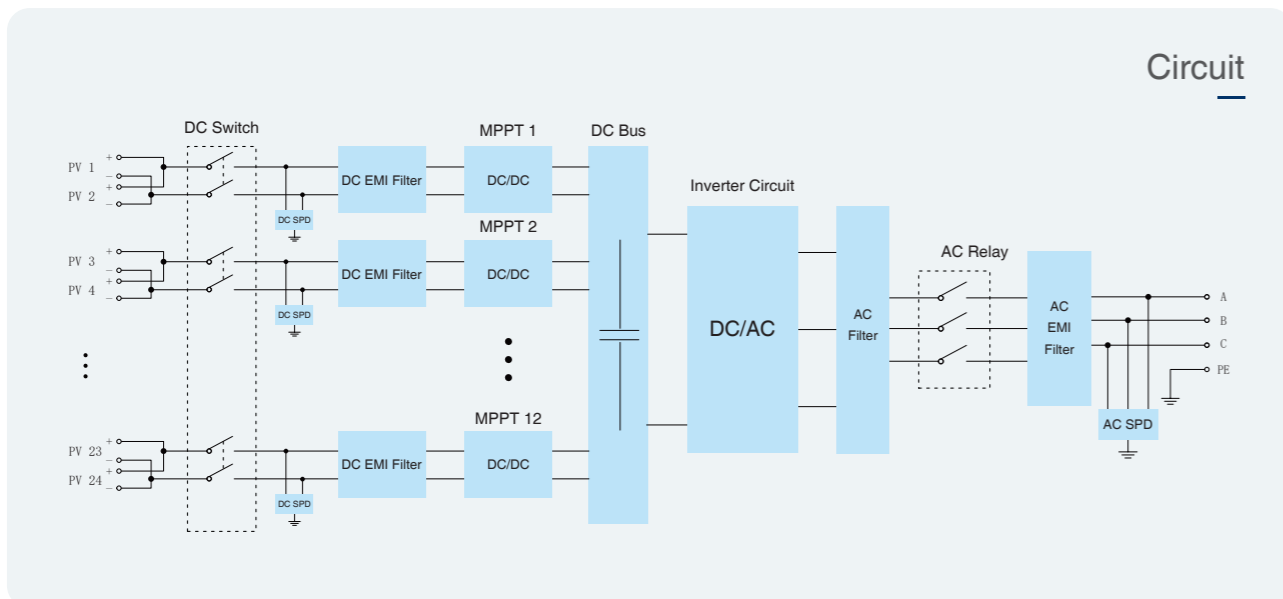
- Up to 32 PV strings
- Support aluminum cable access, saving cable costs
- Support PLC communication, save communication cable

## High reliability

- Cooling fan with IP68 protection level
- Integrated string monitoring function
- Standard connection terminal for quick installation

## Grid friendly

- Active power derating and reactive power adjustable
- Low harmonics and fast response for grid regulation



Input (DC)		SP-350K-H1
Max. PV input voltage		1500V
MPPT Max. input current		45A*12
Rated input voltage		1080V
MPP voltage range		500~1500V
MPP voltage range for nominal power		880~1300V
Number of MPPT trackers		12
Max. number of PV strings per MPPT		2/3
Output (AC)		
Rated output power		352kW@30°C/320kW@40°C
Max. output power		352kW
Rated grid voltage		800V
Grid voltage range		640~920V
Max. output current		254A
Rated grid frequency / range		50Hz/45~55Hz, 60Hz/55~65Hz
Output current harmonic(at nominal power)		<3%
Power factor at nominal power / range		>0.99/0.8leading to 0.8lagging
Protection		
DC reverse connection protection		Yes
Overvoltage protection		DC Type II/AC Type II
Leakage current protection		Yes
Grid monitoring		Yes
Insulation monitoring		Yes
Anti-island protection		Yes
Efficiency		
Max. efficiency		99.03%
EU efficiency		98.80%
General Data		
Isolation method		Transformerless
Self-consuming in night		<3.5W
Protection level		IP66
Temperature		-30°C ~+60°C
Allowed humidity(non condensing)		0-100%
Cooling mode		Temperature controlled forced air cooling
Max.operating altitude		4000m (>3000m derating )
Communication port		Standard: PLC, Optional: RS485
Dimensions (WxHxD)		1350x735x350mm
Weight		140kg