

SN3.0/4.0/5.0/6.0/8.0/10/12PT

Three Phase Inverters/2 MPPTS

Safe & Reliable

IP66 protection & C5 anti-corrosion rating
Type II SPD, both DC & AC sides
Built-in arc-fault circuit-interrupter

High Yield

Max. efficiency up to 98.5%
Up to 16A, max MPPT input current
1.1 times continuous output overload

High-Performance Management

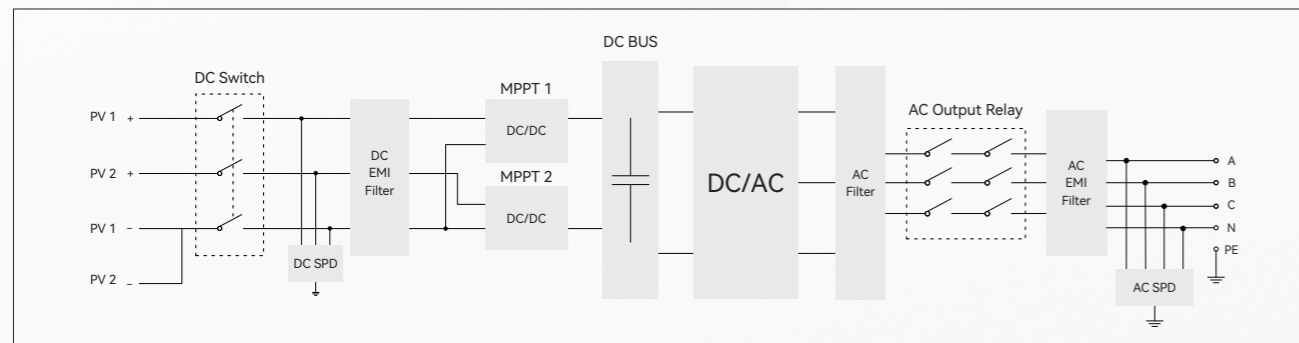
Accurate string current detection
Smart I/V curve scan
Local & remote maintenance

User-Friendly Design

Fanless design for quiet operation
Optional OLED screen
Quickly set up smart monitoring via APP



Circuit Diagram



Model	SN3.0PT	SN4.0PT	SN5.0PT	SN6.0PT	SN8.0PT	SN10PT	SN12PT
Input (PV)							
Max. PV input voltage/V	1100						
Recommended max. PV power(STC)/Wp	4500	6000	7500	9000	12000	15000	18000
Nominal PV input voltage/V	620						
MPPT operating voltage range/V	140~1000						
Full power MPPT voltage range/V	190-850	190-850	190-850	225-850	310-850	375-850	450-850
Start up PV voltage/V	180						
Number of PV input	1+1						
Max. current per MPPT/A	16						
Max. short circuit current per MPPT/A	25						
DC terminal	Amphenol/MC4						
Output (grid)							
Nominal output power/W	3000	4000	5000	6000	8000	10000	12000
Max. output apparent power/VA	3300	4400	5500	6600	8800	11000	13200
Max. output current/A	4.8	6.4	8	9.6	12.8	15.9	19.1
Nominal grid voltage/V	3/N/PE 230/400						
Grid voltage range/V	320-480 (According to local standards)						
Nominal grid frequency/Hz	50/60						
Power factor range	0.8leading-0.8lagging						
Harmonic (THD)	<3%						
AC terminal	Quick plug connector						
Efficiency							
Max. efficiency	98.00%	98.00%	98.10%	98.20%	98.30%	98.40%	98.50%
EU efficiency	97.60%	97.70%	97.70%	97.80%	98.00%	98.10%	98.20%
General data							
Display mode	LED, OLED(optional)						
Communication port	RS485, WIFI/4G/Ethernet						
Weight/Kg	14.5	14.5	14.5	14.5	14.5	15	15
Dimensions (W*H*D)/mm	530*465*165						
Max. operating altitude/m	4000(>3000 derating)						
Cooling method	Natural						
Humidity	0~100%						
Operating temperature/°C	-25~60						
Protection level	IP66						
Topology	Transformerless						
Self-consuming at night	< 1W						
Protection							
Leakage current protection	Yes						
Anti-island protection	Yes						
DC reverse protection	Yes						
AC short circuit protection	Yes						
PV string current detection	Yes						
PID recovery	Optional						
DC switch	Yes						
Arc-fault circuit-interrupter	Yes						
Surge protection	DC II/AC II						
Insulation monitoring	Yes						
Over-voltage protection	AC III/DC II						

*Please visit Sineng website for latest certificates.