

# EP-3600/3750-HAN-UD/10~35

## MV Turnkey Solution for 1500V Utility PV Plant



### More power generation

- Inverter Max. efficiency 98.9%, CEC efficiency 98.5%
- 1500Vdc PV system reduce power loss
- High DC/AC ratio up to 1.8

### Low system cost

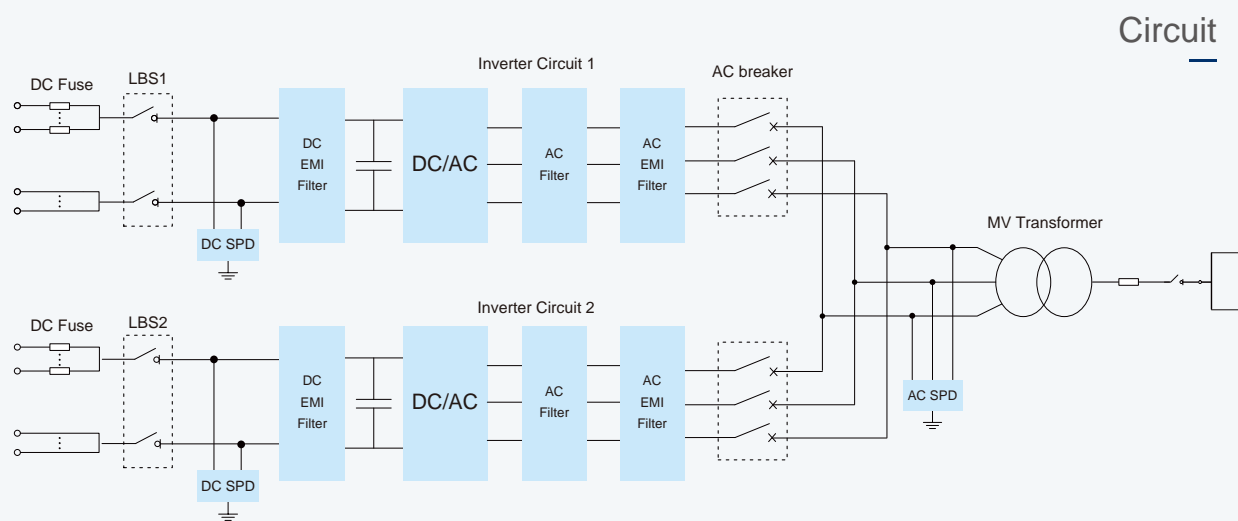
- Convenient for large block size PV plant
- Integrated MV transformer and switchgear
- Night SVG function optional

### High reliability

- Capacitor life prediction technology
- Key components at front side, easy for maintenance
- Current sensor for each DC input, more reliable for monitoring and control

### Grid friendly

- Adjustable reactive power
- Low harmonics and fast response for grid regulation



Input (DC)	EP-3600-HAN-UD/10~35	EP-3750-HAN-UD/10~35
Max. PV input voltage	1500V	1500V
Max. input current	4015A	4049A
MPP voltage range	915~1300V	958~1300V
Number of MPPT trackers	2	2
Number of DC inputs	22(400A&315A)/18(500A&550A&630A)	22(400A&315A)/18(500A&550A&630A)
Output (AC)		
AC output power	3600kW@40 C, 3240kW@50 C	3750kW@40 C, 3375kW@50 C
Rated grid frequency/range	60Hz/ 55~65 Hz	
Output current harmonic(at nominal power)	< 5 %	
DC current injection	< 0.5% In	
Power factor at nominal power/range	>0.99/ 0.8 lagging to 0.8 leading	
Protection		
DC input protection	DC Fuse+DC LBS	
AC output protection	Circuit breaker	
AC MV output protection	Circuit breaker	
Overtoltage protection	DC Type II / AC Type II	
Leakage current monitoring	Yes	
Grid monitoring/Ground fault monitoring	Yes/Yes	
Insulation monitoring	Yes	
Overheat protection	Yes	
Night SVG function	Yes	
Anti-PID function	Yes	
Efficiency		
Inverter max. efficiency	98.90%	
Inverter CEC efficiency	98.50%	
Transformer		
Transformer rated power	3600kVA	3750kVA
Transformer max. power	3600kVA	3750kVA
LV / MV Voltage	0.63/10~35kV	0.66/10~35kV
Transformer Vector	Dy11	
Transformer cooling type	ONAN (Oil Natural Air Natural)	
General Data		
Protection level	NEMA 4X(Electronic for inverter)/ NEMA 3R(Others)	
Auxiliary power supply	Standard: 5kVA, Optional: max. 40kVA	
Temperature	-30~+60 C ( >40 C derating)	
Allowed humidity(non condensing)	0 - 95 %	
Cooling method	Temperature controlled forced air cooling	
Max.operating altitude	1000m	
Display	LCD	
Communication port	RS485/Ethernet, Optional: optical fiber	
Dimension(W*H*D)	6058*2896*2438mm	
Weight	18t	