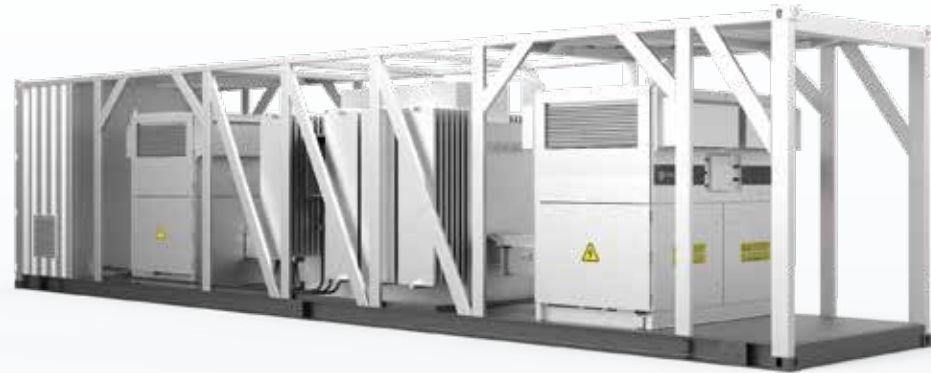


# EP-6250-HA-UD/10~35

MV Turnkey Solution for 1500V Utility PV Plant



## More power generation

- Inverter Max. efficiency 99%, Euro efficiency 98.7%
- 1500Vdc PV system reduce power loss
- High DC/AC ratio up to 1.8

## Low system cost

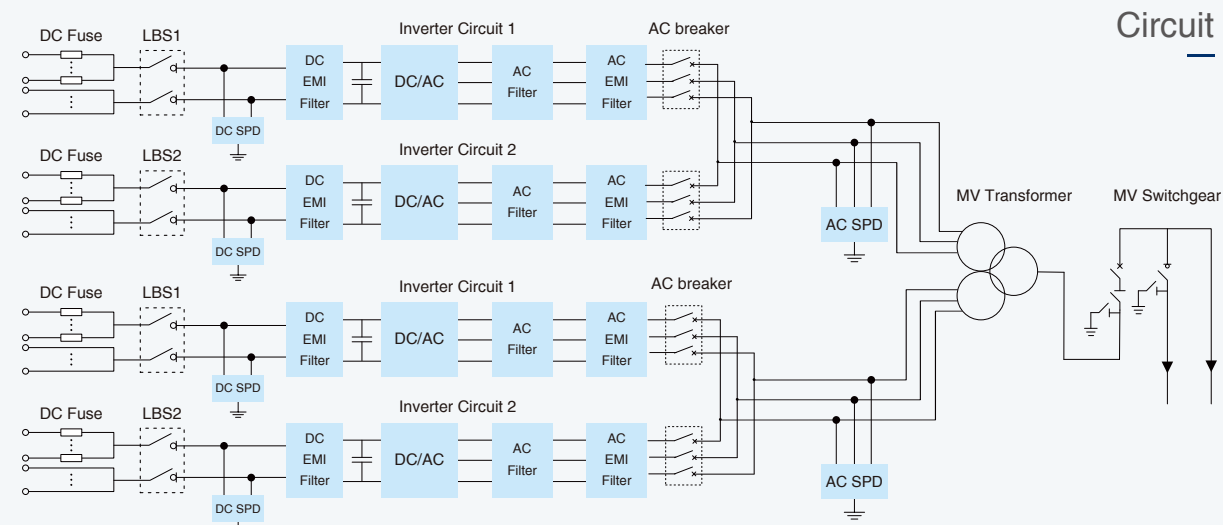
- Convenient for large block size PV plant
- Integrated MV transformer and switchgear
- Night SVG function optional

## High reliability

- Capacitor life prediction technology
- Key components at front side, easy for maintenance
- Current sensor for each DC input, more reliable for monitoring and control

## Grid friendly

- Adjustable reactive power
- Low harmonics and fast response for grid regulation



Input (DC)		EP-6250-HA-UD/10~35
Max. PV input voltage		1500V
Max. input current		4110A*2
MPP voltage range for nominal power		900~1300V
Number of MPPT trackers		4
Max. Number of DC inputs		24*2
Output (AC)		EP-6250-HA-UD/10~35
Rated AC output power		2*3125kVA@50 C
Max. AC output power		2*3625kVA@25 C
AC voltage range		10~35kV
Rated grid frequency/range		50 Hz/45~55 Hz, 60Hz/55~65 Hz
Output current harmonic(at nominal power)		< 3 %
DC current injection		< 0.5% In
Power factor at nominal power/range		>0.99/ 0.8 lagging to 0.8 leading
Protection		EP-6250-HA-UD/10~35
DC input protection		Load break switch+fuse
AC output protection		Circuit breaker
AC MV output protection		Circuit breaker
Overvoltage protection		DC Type I+II / AC Type II
Leakage current monitoring		Yes
Grid monitoring/Ground fault monitoring		Yes/Yes
Insulation monitoring		Yes
Overheat protection		Yes
Night SVG function		Optional
Anti-PID function		Optional
Efficiency		EP-6250-HA-UD/10~35
Inverter max. efficiency		99.00%
Inverter EU efficiency		98.70%
Transformer		EP-6250-HA-UD/10~35
Transformer rated power		6250 kVA
Transformer max. power		7250 kVA
LV / MV Voltage		0.63-0.63/10~35kV
Transformer Vector		Dy11y11
Transformer cooling type		ONAN (Oil Natural Air Natural)
General Data		EP-6250-HA-UD/10~35
Weight		28t
Protection level		Inverter:IP65, Others:IP54
Auxiliary power supply		Standard:5kVA, Optional: max. 40kVA
Temperature		-30~+60 C (>50 C derating)
Allowed humidity(non condensing)		0 - 95 %
Cooling method		Temperature controlled forced air cooling
Max.operating altitude		2000m(standard) / > 2000m (optional)
Display		Touch screen
Communication port		RS485/Ethernet, Optional: optical fiber