

SP-120K-BL

Three Phase Inverters/ 10 MPPTS



Safe & Reliable

IP66 protection & C5 anti-corrosion rating
Type II SPD, both DC & AC parts

High Rewards

Built-in PID recovery function
1.1 times continuous output overload

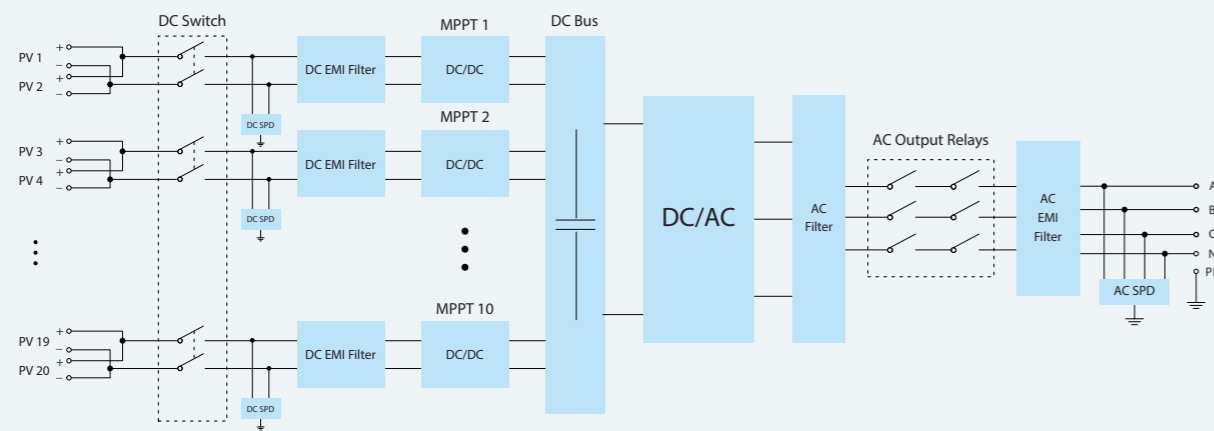
High-Performance management

Smart I/V curve scan
Local & remote maintenance

User -Friendly Design

1100V voltage level design
Plant monitoring quickly create via APP

Diagram Circuit



Model		SP-120K-BL
Input (PV)		
Max. PV Input voltage/V		1100
Recommended max. PV power(STC)/Wp		165000
Nominal PV input voltage/V		600
MPPT operating voltage range/V		200~1000
Full power MPPT voltage range/V		520-850
Start up PV voltage/V		400
Number of PV input		10*2
Max. current per MPPT/A		30
Max. short circuit current per MPPT/A		45
DC terminal		Amphenol/MC4
Output (grid)		
Nominal output power/W		110000
Max. output apparent power/VA		121000@40 C, 110000@45 C, 100000@50 C
Max. output current/A		184
Nominal grid voltage/V		3/N/PE 230/400
Grid voltage range/V		320-480 (According to the local standards)
Nominal grid frequency/Hz		50/60
Power factor		0.8leading-0.8lagging
Harmonic (THD)		< 3%
AC terminal		Terminal Block
Efficiency		
Max. efficiency		98.80%
EU efficiency		98.50%
General data		
Display mode		LED
Communication port		RS485, WIFI/GPRS/Ethernet
Weight/Kg		85
Dimensions (W*H*D)/mm		1018*630*339
Max. pperating altitude/m		4000 (>3000m derating)
Cooling method		Smart fan cooling
Humidity		0~100%
Operating temperature/ C		-25~60 C
Protection level		IP66
Topology		Transformerless
Self-consuming at night		< 3.5W
Protection		
Leakage current protection		Yes
Anti-island protection		Yes
DC reverse protection		Yes
AC short circuit protection		Yes
PV string current detection		Yes
PID recovery		Optional
DC switch		Yes
Surge protection		DC II/AC II
Insulation monitoring		Yes
Over-voltage protection		AC: III; DC: II

*Please visit Sineng website for latest certificates.